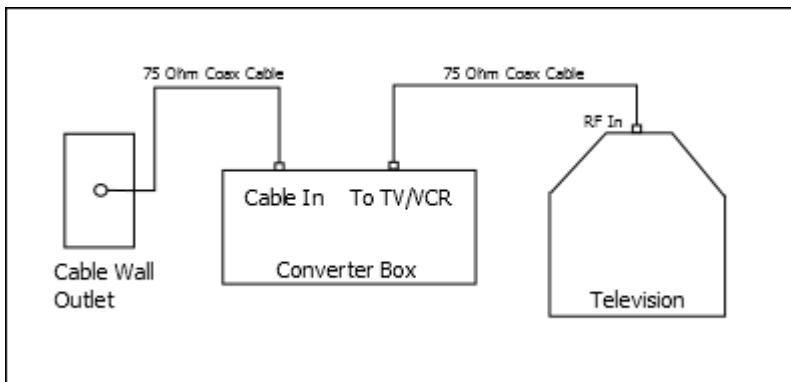


Connecting a Cable TV Set-top Box (Converter Box) to a Non-Digital TV

Option 1: Using Coax Cable Only

- Disconnect the coax cable presently connected to the TV.
- Connect that same cable end to the “Cable In” on the *Converter Box*.
- Using another coax (jumper) cable, connect the “RF Out” or “To TV/VCR” on the *Converter Box* to the RF input on the TV. Set your TV on Ch. 3 (your TV will stay on 3 and you will change channels on your *Converter Box*).
- Use the remote control that came with the *Converter Box* to change channels on the box. (Depending on the make, model & age of your TV, you may also be able to program the converter remote to control audio levels on your TV – refer to remote for instructions.)

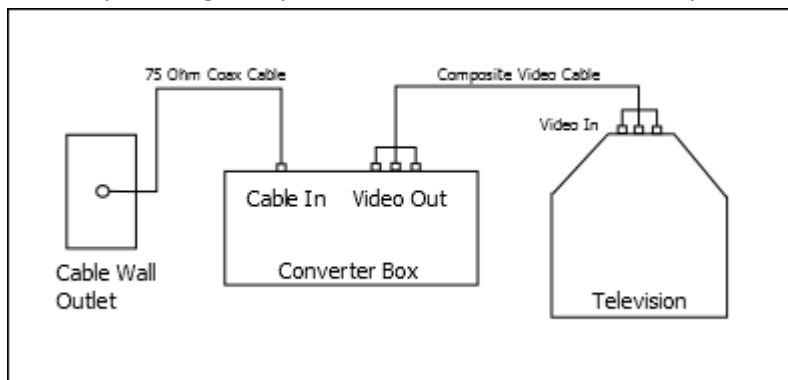


Coax Cable

Option 2: Composite Video

If your TV has Composite Video inputs, you can use these connections for better picture quality.

- Disconnect the coax cable presently connected to the TV.
- Connect that end to the “Cable In” on the *Converter Box*. Using a composite cable (shown below), connect the yellow end to the *Converter Box* “Video” out, the white end to “L Audio Out” or “L To TV” and the red to the “R Audio Out” or “R ToTV”.
- Connect the other end of the composite cable to the corresponding video inputs on the TV.
- Next, select the correct input/source on the TV. This is typically “Video 1” and can usually be found by pressing “input” or “source” on your TV’s remote control.
- Now use the remote control that came with the *Converter Box* to change channels. If you have no picture or a message that says “no signal”, your TV is not set on the correct input.



Composite Video Cable